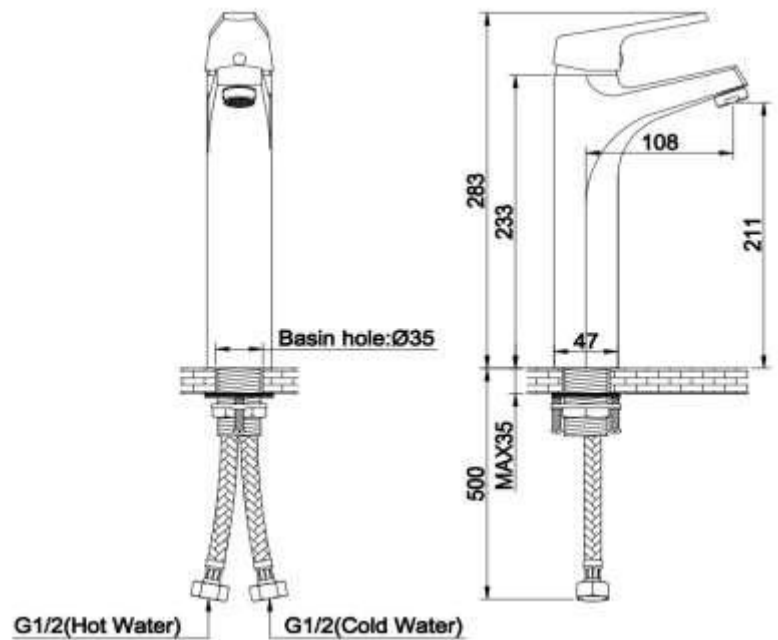


ZILVER
Concetti Italiani

Water Genius!

Zilver Econeue Long Basin Mixer

Item Code :ED109L



Description

Zilver Econeue Series is one of the class in our product line. The product is offered with the natural look and offered at a very attractive price.

Features

- For Single Hole Installation
- Cartridge : 35 mm Ceramic with Brass Stick inclusive of
- Flexible Connection hoses with brass nuts
- Aerator @2.2 gpm max. @60psi
- Chrome plating 0.2-0.3 micrometer
- Nickel Plating 8-10 micrometer
- Minimum pressure 0.1 mpa /14.5psi/ 1bar

www.zilver.co